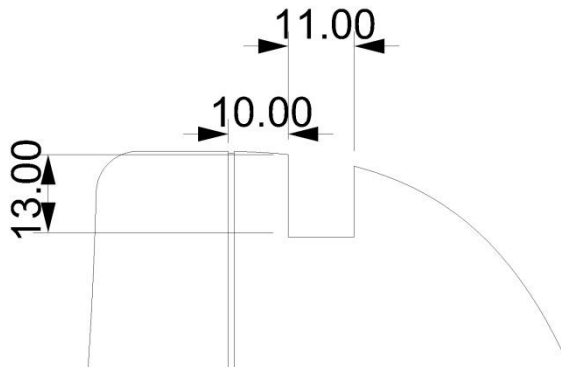


# T-blade Manual

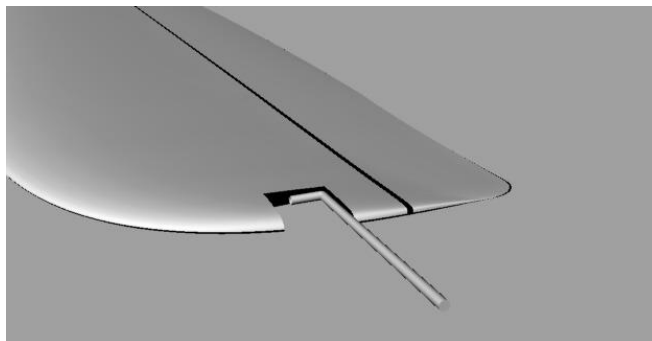
---

## Steps:

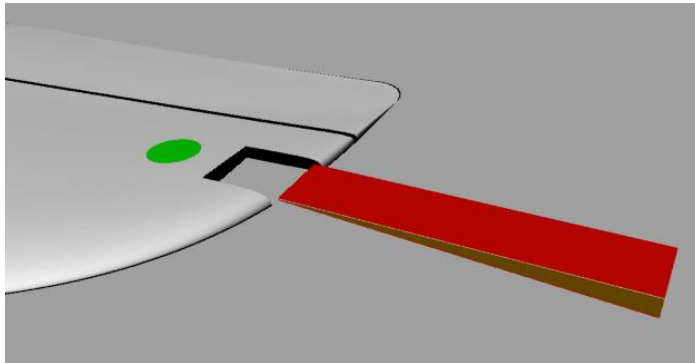
1. Cutout the wingtip like shown below.



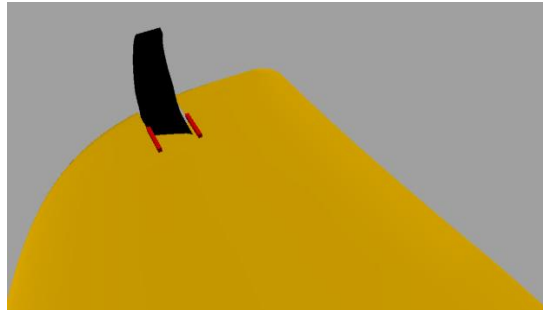
2. Take a piece of metal wire and bend a hook at one end , use this to lurk out the foam and make space for the blade.



3. Cut a 10mm wide strip 150mm long out of some rough sanding paper fold it in half with the grain to the outside like shown below, insert it in the wing and press the wingskin with you fingers (top and bottom) at the area marked in green, pull out the sanding paper & repeat till the foam is completely removed on the inside of the carbon skin



4. Test fit the blade , you might need to cut in the bottom skin like shown below to get the blade within the wingspan.



5. Mask the wing on the outside , top and bottom with masking tape, in order not to get glue on the wingsurface.  
fill the hole out with epoxy and push the blade in , excess epoxy will be pushed out , clean it up while still wet.

